

# NUCTECH™ Kylin MV

## X-ray Inspection System

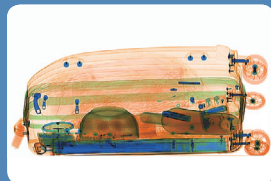
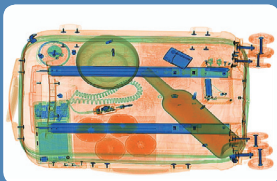


Creating a safer world



NUCTECH™ Kylin MV is a newly developed multi-view X-ray Inspection System developed by NUCTECH COMPANY LIMITED. The system innovatively combines dual-energy material discrimination technology with multi-view scanning technology. With multidimensional information acquired by the system, it realizes automated explosives / liquid explosives / narcotics detection and alarms with a higher probability of detection and lower false alarm rates.

Designed with a larger tunnel size, a higher throughput, a lower noise and a lower cost, Kylin MV is an ideal security solution for airports, Customs, critical infrastructures, governmental buildings, public activities, etc.



## Technical Features

- Automated detection of various contraband like explosives, liquid explosives and narcotics, satisfying security needs for airports, Customs, etc.
- Discriminates different materials with higher probability of detection and lower false alarm rates.
- Generates high-resolution DR images, inspects objects in double views, reduces the effect of overlapping and identifies contraband easier and with a more intuitive image.
- With multi-view scanning technology, material information is acquired to colorize different materials with different colors in DR images.
- Provides TIP for training and evaluating operators.
- Realizes remote resolutions, operations and diagnoses and shares data between different areas with the help of cloud computing technology.
- Modular design enables easy replacement of key components and convenient maintenance to reduce time and labor.

# NUCTECH™ Kylin MV

## X-ray Inspection System

### Technical Data

#### General Specifications

Tunnel Dimensions	Max. Width: 620mm, Max. Height: 420mm
Max. Baggage Size	2000mm(L)×620mm(W)×420mm(H)
Conveyor Height	675~725mm
Conveyor Load	160kg
Throughput	900TPH
DR Wire Resolution	40AWG
DR Steel Penetration	40mm
Display Monitor	Color monitor / High resolution of 1920×1080

#### Health and Safety

X-ray Leakage	Conform to all the radiation protection standards recommended by IAEA, ICRP and WHO
---------------	---

#### Image Processing System

DR Image Processing	Color / BW, Negative, Edge enhancement, General enhancement, Organic stripping, Inorganic stripping, High-energy Penetration, Pseudo-color, etc.
ROI & Zoom	Selectable image zoom regions, 1~64 times enlargement
Data Storage Capacity	Up to 50,000 images

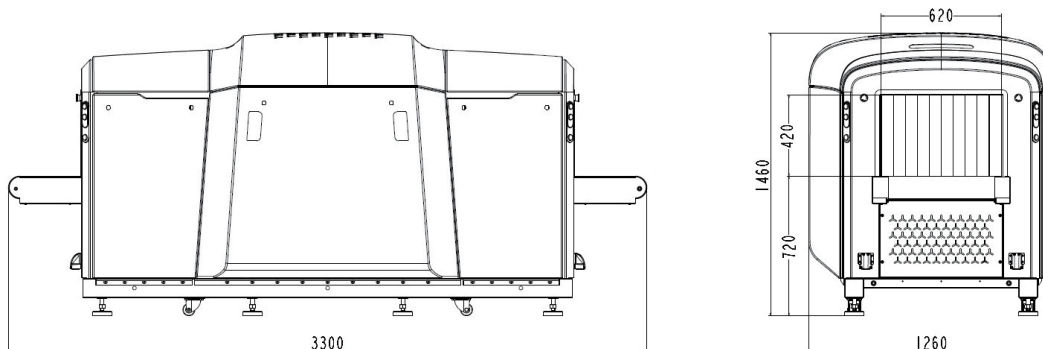
#### System Functions

Date / Time display, Baggage counter, User management, System-on timers, Power-on self-test, Image Storage and query, Built-in diagnosis.

#### Installation Data

Dimensions / Weight	3300mm(L)×1260mm(W)×1460mm(H) / 1450kg
Operating Temperature / Humidity	0°C ~ +40°C / 5% ~ 95% (non-condensing)
Storage Temperature / Humidity	-40°C ~ +60°C / 5% ~ 95% (non-condensing)
Power Supply	220VAC / 110VAC (-15% ~ +10%), 50Hz / 60Hz±3Hz
Power Consumption	1.9kVA

Note: Image performance specifications are based on test materials complying with CAAC standard.



SIOMPSD/TP-AA111902-EN

Copyright 2018 NUCTECH COMPANY LIMITED, All Rights reserved.  
Design and specifications are subject to change without notice.



NUCTECH AWARDED THE CERTIFICATE OF QUALITY MANAGEMENT SYSTEM (ISO9001:2015)  
NUCTECH AWARDED THE CERTIFICATE OF ENVIRONMENTAL MANAGEMENT SYSTEM (ISO14001:2004)  
NUCTECH AWARDED THE CERTIFICATE OF OCCUPATIONAL HEALTH AND SAFETY MANAGEMENT SYSTEM (GB/T28001-2011)

